

CUSTOMER NAME:

QUANTITY:

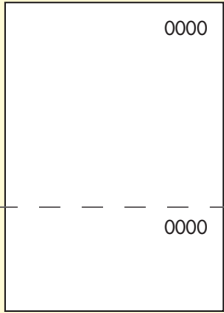
FORM SIZE: (Depth x Width)

X Number of cheques @ view

INK COLOURS:

Security Background Cheque Screen Colour

CHEQUE No. POSITION: (if required) – Please tick box



TOP RH CORNER REMITTANCE

OTHER POSITIONS PLEASE INDICATE

TOP RH CORNER CHEQUE

OR

ENCODE ONLY

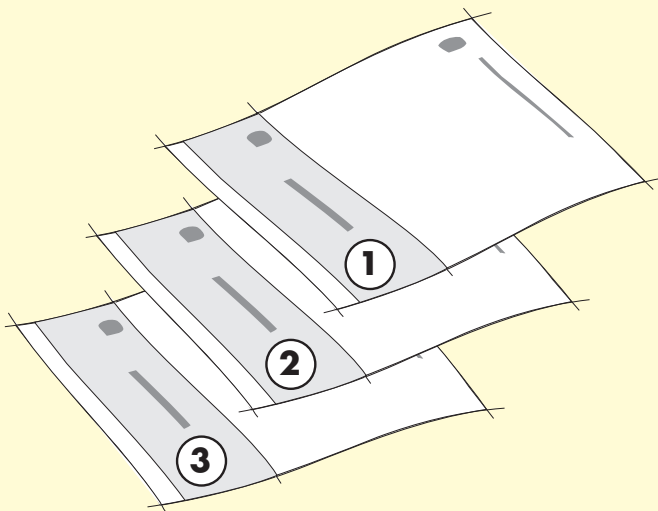


Different types/model printers require cheques to be face up or face down in their paper tray.

PLEASE INDICATE NUMBERING SEQUENCE

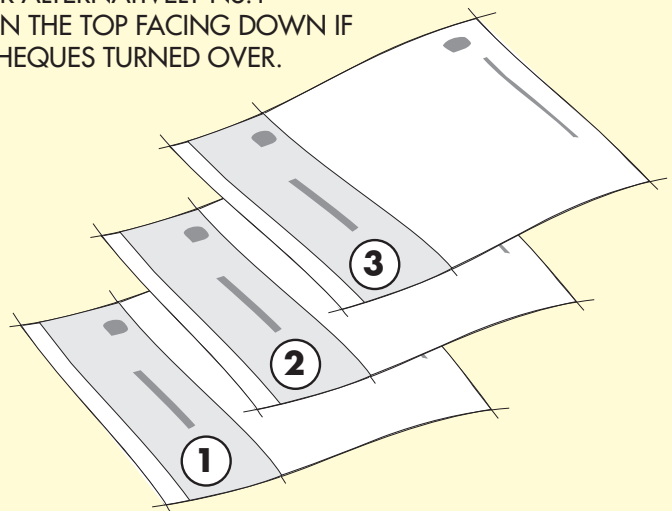
BACKWARD NUMBER

STANDARD CHEQUE SEQUENCE FOR ALL CONTINUOUS CHEQUES.



FORWARD NUMBER

No.1 CHEQUE ON BOTTOM WHEN CHEQUE FACING YOU.
OR ALTERNATIVELY No.1 ON THE TOP FACING DOWN IF CHEQUES TURNED OVER.



I have completed & checked the specifications & details above. Client Signature